



Technical Note

TN_176

LC231X Errata Technical Note

Version 1.0

Issue Date: 2018-08-17

The intention of this errata technical note is to give a detailed description of known functional or electrical issues with the FTDI LC231X modules.

Use of FTDI devices in life support and/or safety applications is entirely at the user's risk, and the user agrees to defend, indemnify and hold FTDI harmless from any and all damages, claims, suits or expense resulting from such use.

Future Technology Devices International Limited (FTDI)

Unit 1, 2 Seaward Place, Glasgow G41 1HH, United Kingdom

Tel.: +44 (0) 141 429 2777 Fax: + 44 (0) 141 429 2758

Web Site: <http://ftdichip.com>

Copyright © Future Technology Devices International Limited

Table of Contents

1	LC231X Revision	2
2	Errata History Table – Functional Issues.....	3
3	Silkscreen Text Issues of LC231X.....	4
3.1	Revision 1.0	4
3.1.1	Wrong silkscreen Text on Bottom layer	4
4	Contact Information.....	6
Appendix A	– References	7
Document References		7
Acronyms and Abbreviations		7
Appendix B	– List of Tables & Figures	8
List of Tables.....		8
List of Figures		8
Appendix C	– Revision History	9

1 LC231X Revision

LC231X part numbers are listed in Table 1.

The current revision is **Rev 1.0**, which is marked on the PCB silkscreen. All known issues with this module revision are recorded in this Technical Note.

Part Number	Description
LC231X	Low cost FT231X USB to UART module

Table 1 – LC231X Part Numbers

This errata technical note covers the revisions of LC231X listed in Table 2.

Revision	Notes
1.0	

Table 2 - LC231X Revisions

2 Errata History Table – Functional Issues

Functional Errata	Short Description	Errata occurs in module revision
LC231X	Silkscreen error on bottom layer	1.0

Table 3 - Functional Issues

3 Silkscreen Text Issues of LC231X

3.1 Revision 1.0

3.1.1 Wrong silkscreen Text on Bottom layer

Introduction:

The LC231X module's bottom silkscreen text is located at wrong place.

Issue:

The current silkscreen text "RST" and "VCCIO" should be at opposite locations. The "VCCIO" label should be "3V3".



Figure 1 – Rev.1.0 Wrong Silkscreen



Figure 2 - Rev.1.1 Updated Silkscreen

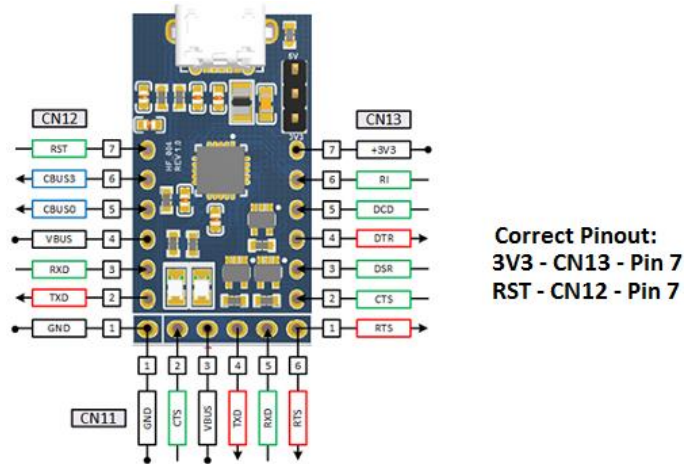


Figure 3 - Silkscreen Topside

Exception:

The issue only affects if the customer wants to patch our module to their own application by following the silkscreen only and doesn't have any impact on any other functionality of the FT231X IC.

Workaround:

The workaround options are as follows:

1. Use the latest revision (Rev.1.1) of LC231X which have correct bottom layer silkscreen
2. Follow this errata to connect the LC231X module to their application

Package Specific:

The affected packages are listed in Table 4.

Module	Applicable (Yes/No)
LC231X	Y

Table 4 - Affected Modules

4 Contact Information

Head Office – Glasgow, UK

Future Technology Devices International Limited
Unit 1, 2 Seaward Place, Centurion Business Park
Glasgow G41 1HH
United Kingdom
Tel: +44 (0) 141 429 2777
Fax: +44 (0) 141 429 2758

E-mail (Sales) sales1@ftdichip.com
E-mail (Support) support1@ftdichip.com
E-mail (General Enquiries) admin1@ftdichip.com

Branch Office – Tigard, Oregon, USA

Future Technology Devices International Limited (USA)
7130 SW Fir Loop
Tigard, OR 97223-8160
USA
Tel: +1 (503) 547 0988
Fax: +1 (503) 547 0987

E-mail (Sales) us.sales@ftdichip.com
E-mail (Support) us.support@ftdichip.com
E-mail (General Enquiries) us.admin@ftdichip.com

Branch Office – Taipei, Taiwan

Future Technology Devices International Limited (Taiwan)
2F, No. 516, Sec. 1, NeiHu Road
Taipei 114
Taiwan, R.O.C.
Tel: +886 (0) 2 8797 1330
Fax: +886 (0) 2 8791 3576

E-mail (Sales) tw.sales1@ftdichip.com
E-mail (Support) tw.support1@ftdichip.com
E-mail (General Enquiries) tw.admin1@ftdichip.com

Branch Office – Shanghai, China

Future Technology Devices International Limited (China)
Room 1103, No. 666 West Huaihai Road,
Shanghai, 200052
China
Tel: +86 21 62351596
Fax: +86 21 62351595

E-mail (Sales) cn.sales@ftdichip.com
E-mail (Support) cn.support@ftdichip.com
E-mail (General Enquiries) cn.admin@ftdichip.com

Web Site

<http://ftdichip.com>

Distributor and Sales Representatives

Please visit the Sales Network page of the [FTDI Web site](#) for the contact details of our distributor(s) and sales representative(s) in your country.

System and equipment manufacturers and designers are responsible to ensure that their systems, and any Future Technology Devices International Ltd (FTDI) devices incorporated in their systems, meet all applicable safety, regulatory and system-level performance requirements. All application-related information in this document (including application descriptions, suggested FTDI devices and other materials) is provided for reference only. While FTDI has taken care to assure it is accurate, this information is subject to customer confirmation, and FTDI disclaims all liability for system designs and for any applications assistance provided by FTDI. Use of FTDI devices in life support and/or safety applications is entirely at the user's risk, and the user agrees to defend, indemnify and hold harmless FTDI from any and all damages, claims, suits or expense resulting from such use. This document is subject to change without notice. No freedom to use patents or other intellectual property rights is implied by the publication of this document. Neither the whole nor any part of the information contained in, or the product described in this document, may be adapted or reproduced in any material or electronic form without the prior written consent of the copyright holder. Future Technology Devices International Ltd, Unit 1, 2 Seaward Place, Centurion Business Park, Glasgow G41 1HH, United Kingdom. Scotland Registered Company Number: SC136640

Appendix A – References

Document References

NA

Acronyms and Abbreviations

Terms	Description
PCB	Printed Circuit Board

Appendix B – List of Tables & Figures

List of Tables

Table 1 – LC231X Part Numbers	2
Table 2 - LC231X Revisions	2
Table 3 - Functional Issues	3
Table 4 - Affected Modules	5

List of Figures

Figure 1 – Rev.1.0 Wrong Silkscreen	4
Figure 2 - Rev.1.1 Updated Silkscreen	4
Figure 3 - Silkscreen Topside	5

Appendix C – Revision History

Document Title: TN_176 LC231X Errata Technical Note
Document Reference No.: FT_001427
Clearance No.: FTDI# 546
Product Page: <http://www.ftdichip.com/Products/Modules/LC231X>
Document Feedback: [Send Feedback](#)

Revision	Changes	Date
1.0	Initial Release	2018-08-17